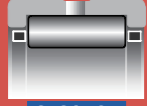


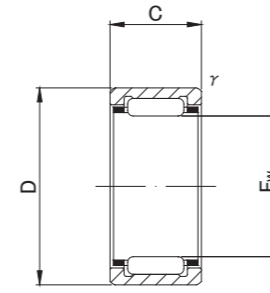
**MACHINED RING
NEEDLE ROLLER
BEARINGS
STAINLESS STEEL
WITHOUT INNER RING**



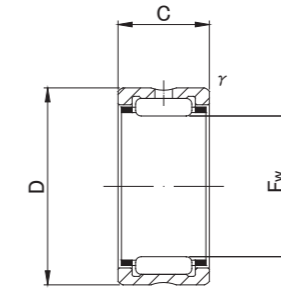
SUS/INOX



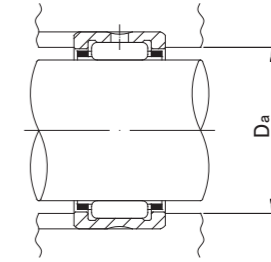
RNA49..M , NK..M



NK..M(Fw ≤ 10)



RNA49..M,NK..M

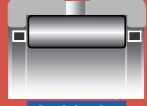


RNA49..M NK..M TYPE

Shaft Diameter (mm)	Designation		Dimensions (mm)				Standard mounting dimensions (mm)	Basic dynamic load rating	Basic static load rating	Limiting speed *	Mass	Usable bearing designation	
	RNA49..M	NK..M	Fw	D	C	r/s min						Da MAX	Cr N
5	—	NK5/10M NK5/12M	5 +0.018	10	10	0.15	6.5	2 200	1 700	40 000	3.4	—	—
			5 +0.010	10	12	0.15	6.5	2 800	2 400	40 000	4.2	—	—
6	—	NK6/10M NK6/12M	6 +0.018	12	10	0.15	7.5	2 400	2 100	37 000	5.3	—	—
			6 +0.010	12	12	0.15	7.5	3 100	2 900	37 000	6.4	—	—
7	RNA495M	— NK7/10M NK7/12M	7	13	10	0.15	8.5	2 700	2 400	34 000	5.9	—	—
	—		7 +0.022	14	10	0.3	8.5	3 300	2 700	34 000	6.9	—	—
	—		7 +0.013	14	12	0.3	8.5	4 200	3 700	34 000	8.3	—	—
8	RNA496M	— NK8/12M NK8/16M	8	15	10	0.15	13.8	3 500	3 100	32 000	7.3	IR6810M	NA496M
	—		8 +0.022	15	12	0.3	13	4 600	4 300	32 000	9	IR5812M	NKI 5/12M
	—		8 +0.013	15	16	0.3	13	6 500	6 700	32 000	13	IR5816M	NKI 5/16M
9	—	NK9/12M NK9/16M	9	16	12	0.3	14	5 000	4 800	30 000	10	IR6912M	NKI 6/12M
	—		9 +0.022	16	16	0.3	14	6 900	7 500	30 000	13.2	IR6916M	NKI 6/16M
	RNA497M		9 +0.013	17	10	0.15	15.8	4 100	3 300	30 000	9.3	IR7910M	NA497M
10	—	NK10/12M NK10/16M	10	17	12	0.3	15	5 400	5 500	28 000	10.7	IR71012M	NKI 7/12M
	—		10 +0.022	17	16	0.3	15	7 500	8 400	28 000	14.3	IR71016M	NKI 7/16M
	RNA498M		10 +0.013	19	11	0.2	17.4	5 700	4 600	28 000	12.6	IR81011M	NA498M
12	—	NK12/12M NK12/16M	12	19	12	0.3	17	6 000	6 700	26 000	12.2	IR91212M	NKI 9/12M
	—		12 +0.027	19	16	0.3	17	8 400	10 300	26 000	16.3	IR91216M	NKI 9/16M
	RNA499M		12 +0.016	20	11	0.3	18	6 000	5 700	26 000	13.6	IR91211M	NA499M
14	RNA4900M	— NK14/16M NK14/20M	14	22	13	0.3	20	8 400	9 200	24 000	16.5	IR101413M	NA4900M
	—		14 +0.027	22	16	0.3	20	10 800	12 600	24 000	21	IR101416M	NKI 10/16M
	—		14 +0.016	22	20	0.3	20	13 600	17 000	24 000	26.5	IR101420M	NKI 10/20M
15	—	NK15/16M NK15/20M	15 +0.027	23	16	0.3	21	11 400	13 700	23 000	22.5	—	—
			15 +0.016	23	20	0.3	21	14 300	18 500	23 000	28	—	—

* Suitable for oil lubrication. In case of grease lubrication, down to 60% of this value.

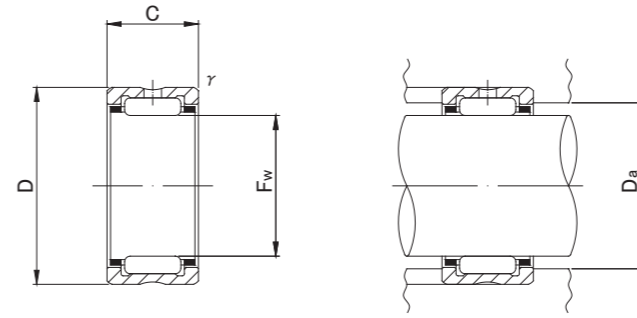
**MACHINED RING
NEEDLE ROLLER
BEARINGS
STAINLESS STEEL
WITHOUT INNER RING**



SUS/INOX



RNA49..M , NK..M



RNA49..M NK..M TYPE

Shaft Diameter (mm)	Designation		Dimensions (mm)				Standard mounting dimensions (mm)	Basic dynamic load rating	Basic static load rating	Limiting speed *	Mass	Usable bearing designation							
	RNA49..M	NK..M	Fw	D	C	r/s min						Da MAX	Cr N	Cor N	rpm	g (approx)	INNER RING	WITH INNER RING	
16	RNA4901M	—	16	24	13	0.3	22	8 900	10 200	23 000	18.1	IR121613M	NA4901M						
	—	NK16/16M	16 +0.027	24	16	0.3							22	11 300	13 800	23 000	23	IR121616M	NKI 12/16M
	—	NK16/20M	16 +0.016	24	20	0.3							22	14 300	18 700	23 000	29	IR121620M	NKI 12/20M
17	—	NK17/16M	17 +0.027	25	16	0.3	23	11 700	14 900	22 000	24.5	—	—						
	—	NK17/20M	17 +0.016	25	20	0.3								23	14 900	20 300	22 000	30.5	—
18	—	NK18/16M	18 +0.027	26	16	0.3	24	12 300	16 100	21 000	25.5	—	—						
	—	NK18/20M	18 +0.016	26	20	0.3								24	15 600	21 700	21 000	32	—
19	—	NK19/16M	19 +0.033	27	16	0.3	25	12 800	17 200	21 000	27	IR151916M	NKI 15/16M						
	—	NK19/20M	19 +0.020	27	20	0.3							25	16 200	23 200	21 000	34	IR151920M	NKI 15/20M
20	RNA4902M	—	20 +0.033 +0.020	28	13	0.3	26	10 000	12 600	20 000	21.5	IR152013M	NA4902M						
22	RNA4903M	—	22 +0.033 +0.020	30	13	0.3	28	10 800	14 300	18 000	23.5	IR172213M	NA4903M						
25	RNA4904M	—	25 +0.033 +0.020	37	17	0.3	35	19 300	23 000	16 000	55.5	IR202517M	NA4904M						
30	RNA4905M	—	30 +0.033 +0.020	42	17	0.3	40	21 800	28 200	13 000	64	IR253017M	NA4905M						

* Suitable for oil lubrication. In case of grease lubrication, down to 60% of this value.